

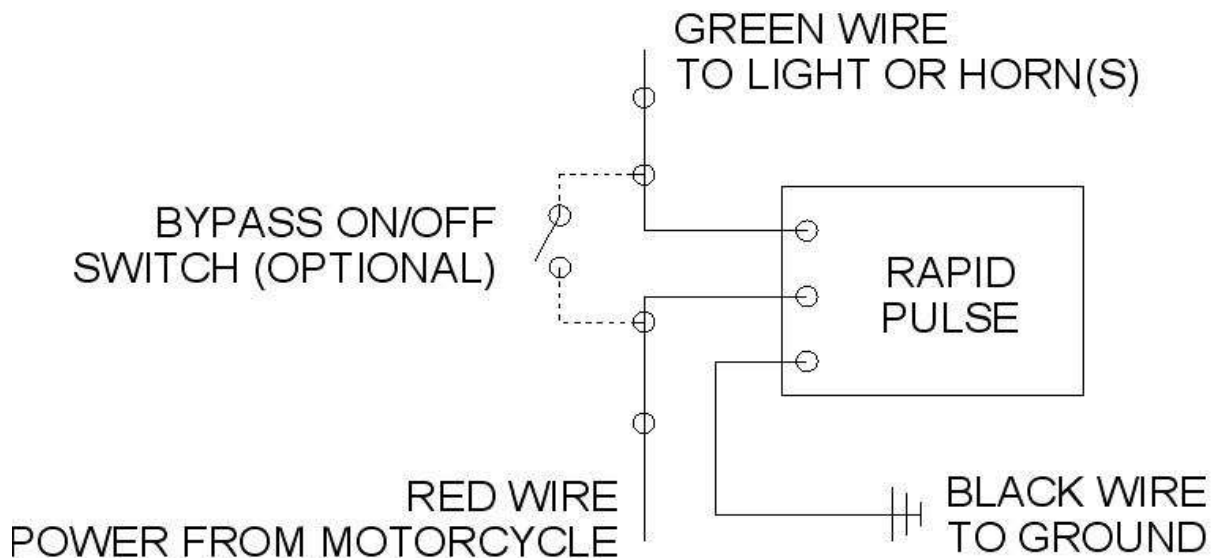
RAPID PULSE HORN OR LIGHTING MODULATOR # RAPPK

This module will pulse any horn, headlight or tail light at the rate of 7 times per second.

1. Find a suitable mounting location. Clean the mounting surface thoroughly using rubbing alcohol, peel the adhesive backing and press the module firmly in place.
2. Connect the black wire to the frame or other suitable ground.

(NOTE: Failure to achieve a good ground will ruin the module
Immediately and void the warranty!)

3. At any point that is convenient cut or disconnect the power wire to the light or horn(s). Connect the green wire to the wire going to the light, horn(s) or wire going to it.
4. Connect the red wire to the power wire coming from the motorcycle.
5. To bypass or turn the modulator off (in some states it is not legal to use a headlight modulator at night or at all, check your state laws) install an on/off switch between the red and green wires. When the switch is in the on position the electricity to the light or horn(s) will bypass the module and the light or horn(s) will not pulse.



RIVCO Products, Inc.
440 South Pine Street
Burlington, WI 53105
262.763.8222
www.rivcoproducts.com