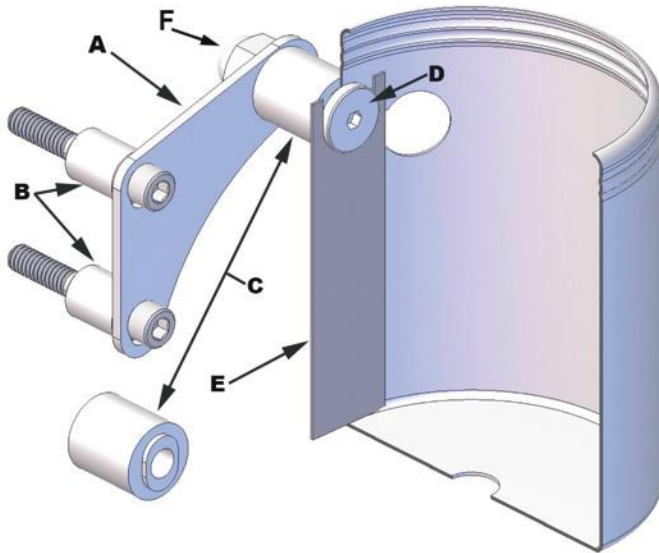


Installation Instructions for CHC (Chrome) and CHB (Black) Cup holders

The Cup holder will mount to the switch housing on most motorcycles on the left (pictured) or right side.

1. Remove the two original screws on switch housing where you wish to install the cup holder.
2. Install the bracket (A) with spacers (B) onto the switch housing with the remaining larger hole up (or above the mounting screws) and positioned inwards towards the center of the motorcycle. Secure the bracket (A) in place using the new longer screws supplied (coarse thread screws are for Harley Davidson and other American bikes, the fine thread metric screws are for Metric bikes).
3. Remove the acorn nut (F) from the cup holder screw (D). Leaving the large spacer (C) in place, insert the cup holder screw (D) into the remaining hole on the mounting bracket with the screw head facing the rider. Re-install acorn nut (F) on the far side of the bracket and tighten.
4. Slowly rotate the handlebars left to right checking that the cup holder does not contact the gas tank or interfere with steering.
5. To remove the cup holder from the mounting bracket, first remove any container from the cup holder. Next, remove the liner from the holder and remove the locking clip (E) from beneath the head of the screw. Slide the cup holder up the L-shaped slot until it stops. Rotate the cup holder 90-degrees and raise it until the head (D) of the large screw can pass through the round opening of the slot. To re-install the cup holder, reverse the steps above, being sure to re-insert the supplied clip (E) under the head of the screw as shown below. Proper use of the product requires keeping the supplied locking clip (E) installed as shown any time the cup holder is attached to the mounting bracket (A). The clip will prevent the cup holder from coming off the mounting bracket with a beverage inside it or while riding.

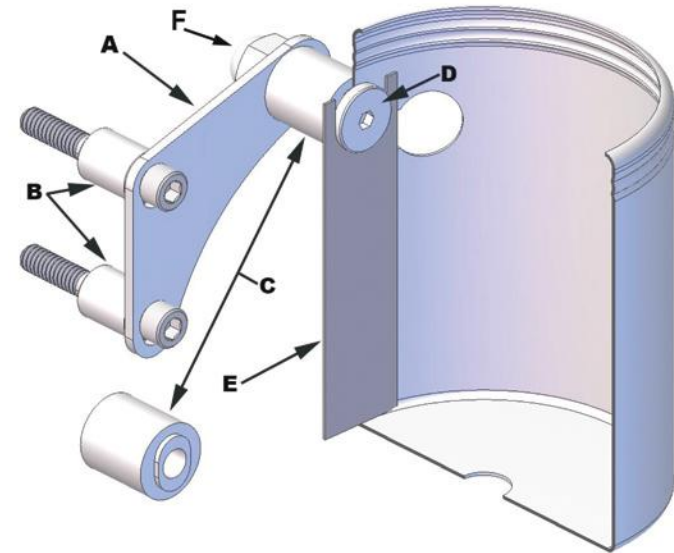


Rivco Products, Inc
440 S. Pine St., Burlington, WI 53105
Toll Free 888-801-8222

Installation Instructions for CHC (Chrome) and CHB (Black) Cup holders

The Cup holder will mount to the switch housing on most motorcycles on the left (pictured) or right side.

1. Remove the two original screws on switch housing where you wish to install the cup holder.
2. Install the bracket (A) with spacers (B) onto the switch housing with the remaining larger hole up (or above the mounting screws) and positioned inwards towards the center of the motorcycle. Secure the bracket (A) in place using the new longer screws supplied (coarse thread screws are for Harley Davidson and other American bikes, the fine thread metric screws are for Metric bikes).
3. Remove the acorn nut (F) from the cup holder screw (D). Leaving the large spacer (C) in place, insert the cup holder screw (D) into the remaining hole on the mounting bracket with the screw head facing the rider. Re-install acorn nut (F) on the far side of the bracket and tighten.
4. Slowly rotate the handlebars left to right checking that the cup holder does not contact the gas tank or interfere with steering.
5. To remove the cup holder from the mounting bracket, first remove any container from the cup holder. Next, remove the liner from the holder and remove the locking clip (E) from beneath the head of the screw. Slide the cup holder up the L-shaped slot until it stops. Rotate the cup holder 90-degrees and raise it until the head (D) of the large screw can pass through the round opening of the slot. To re-install the cup holder, reverse the steps above, being sure to re-insert the supplied clip (E) under the head of the screw as shown below. Proper use of the product requires keeping the supplied locking clip (E) installed as shown any time the cup holder is attached to the mounting bracket (A). The clip will prevent the cup holder from coming off the mounting bracket with a beverage inside it or while riding.



Rivco Products, Inc
440 S. Pine St., Burlington, WI 53105
Toll Free 888-801-8222