

Installation Instructions for

RIVCO UTV LED Lights

**Part numbers: UTV100, UTV105, UTV110, UTV115, UTV120, UTV125,
UTV130, UTV135, and UTV140**

When mounting our UTV LED lights, be sure to pick a location sturdy enough to support their weight that protects them from damage caused by branches, rocks, and other debris.

When making the electrical connections:

1. Use 14-gauge wire and suitable connectors (not included).
2. We suggest the use of RIVCO part number "RELAY" (sold separately) or any other 30-amp relay (available at most auto parts stores) when wiring all RIVCO UTV lights. We have supplied a diagram for wiring direct (without relay) for our UTV100, UTV105, UTV110, and UTV115 lights. A 30-amp relay must be used when wiring our UTV120, UTV125, UTV130, UTV135, and UTV140 lights (see attached wiring diagram with relay).
3. If you are wiring our UTV 100, UTV105, UTV110, or UTV115 direct (without a relay), be sure the switch you will be using to control the lights has a 15-amp capacity minimum. If your switch is not rated for a 15-amp load (like an existing accessory switch), you must use a relay as shown in the attached wiring diagram with relay. Because the use of a 30-amp relay is required when wiring our UTV120, UTV125, UTV130, UTV135, and UTV140 the use of a switch with less than 15-amps is fine (see attached wiring diagram with relay).
4. Fuse the positive wire with a 15-amp fuse for UTV100, UTV105, UTV110, and UTV115. Fuse the positive wire on UTV120, UTV125, UTV130, UTV135, and UTV140 with a 20 Amp fuse (fuses not supplied).



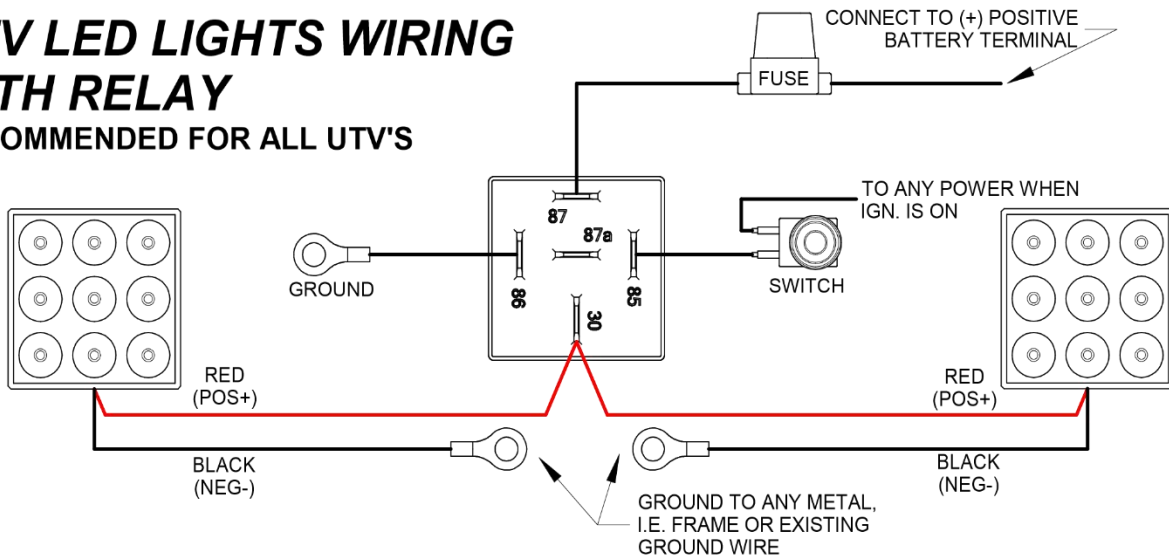
**RIVCO Products Inc.
440 South Pine Street
Burlington, WI 53105
262-763-8222**

To register your warranty and see more great RIVCO products, log onto our website at

www.rivcoproducts.com

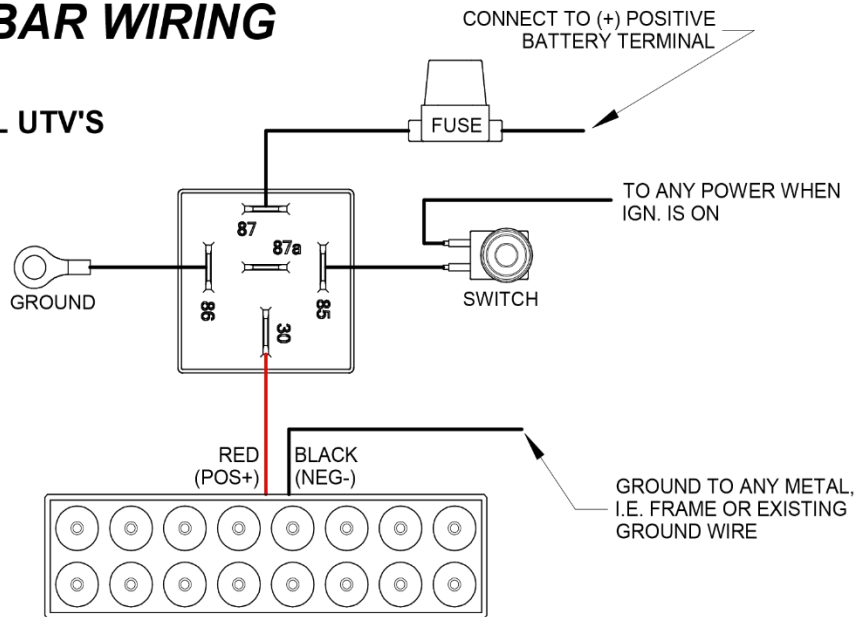
UTV LED LIGHTS WIRING WITH RELAY

RECOMMENDED FOR ALL UTV'S



UTV LED LIGHTBAR WIRING WITH RELAY

RECOMMENDED FOR ALL UTV'S



UTV LED LIGHT(S) WIRING WITHOUT RELAY

CAN BE WIRED DIRECT ON UTV100, UTV105, AND UTV110 ONLY

